



Easy Drain<sup>®</sup>  
by ess

## Basic Drain | 50 mm | Tile grate

Easy Drain Basic Drain is perfect for every type of bathroom. Basic Drain comes standard with an easy-to-clean 50 mm water seal and offers outstanding drainage capacity, all according to EN 1253. This shower drain is supplied as complete product and can be placed free in the floor or mounted at the wall.

### FEATURES

- Suitable for - New construction and renovation
- Water Protection System - 10-year warranty
- Siphon - Easy to clean
- Drainage capacity - according to EN 1253
- Supplied as - Complete set



#### Manufacturer

Easy Sanitary Solutions  
Nijverheidsstraat 60 | 7575 BK Oldenzaal | The Netherlands  
T. +31 (0)541 200 800 | F. +31 (0)541 200 899  
info@esspost.com | www.easydrain.com

#### Contact

Easy Sanitary Solutions  
Nijverheidsstraat 60 | 7575 BK Oldenzaal | The Netherlands  
T. +31 (0)541 200 800 | F. +31 (0)541 200 899  
sales@esspost.com | www.easydrain.com

## GENERAL

Serie	Basic Drain
Name	Basic Drain   50 mm   Tile grate
Model	Rectangular shower drain
Length (mm)	500, 600, 700, 800, 900, 1000, 1100, 1200
Product type	Complete
Application	New construction, Renovation
Certification	EN1253, DIN 18534

## INSTALLATION

Substrate	Concrete / Sand Cement
Floor finish	Tiles / Mosaic
Height adjustable feet	Included
Installation option	Floor
Outlet	Horizontal (Vertical outlet optional)
Connection (mm)	50 (Global) / 56 (UK)
Min. installation depth (mm) (built-in set)	92
Min. installation depth (mm) (incl. grate)	106

## DRAINAGE

Max. drainage capacity entrance (l/min)	31
Max. drainage capacity wall (l/min)	36
Max. drainage capacity (l/min)	36

## BUILT-IN SET

Pre-assembled sealing membrane	Included
Siphon features	Cleanable
Water seal height (mm)	50
Outlet	Horizontal (Vertical outlet optional)
Material siphon	ABS

## DESIGN

Grate finish	Tile
Grate pattern	N.A.
Grate width (mm)	72
Grate tile insert (mm)	12
Adjustable grate	Yes
Frame type	N.A.
TAF Frame material	N.A.
Design frame finish	N.A.
Frame width (mm)	N.A.
Wheelchair accessible	
Extension set available	N.A.



### Manufacturer

Easy Sanitary Solutions  
 Nijverheidsstraat 60 | 7575 BK Oldenzaal | The Netherlands  
 T. +31 (0)541 200 800 | F. +31 (0)541 200 899  
 info@esspost.com | www.easydrain.com

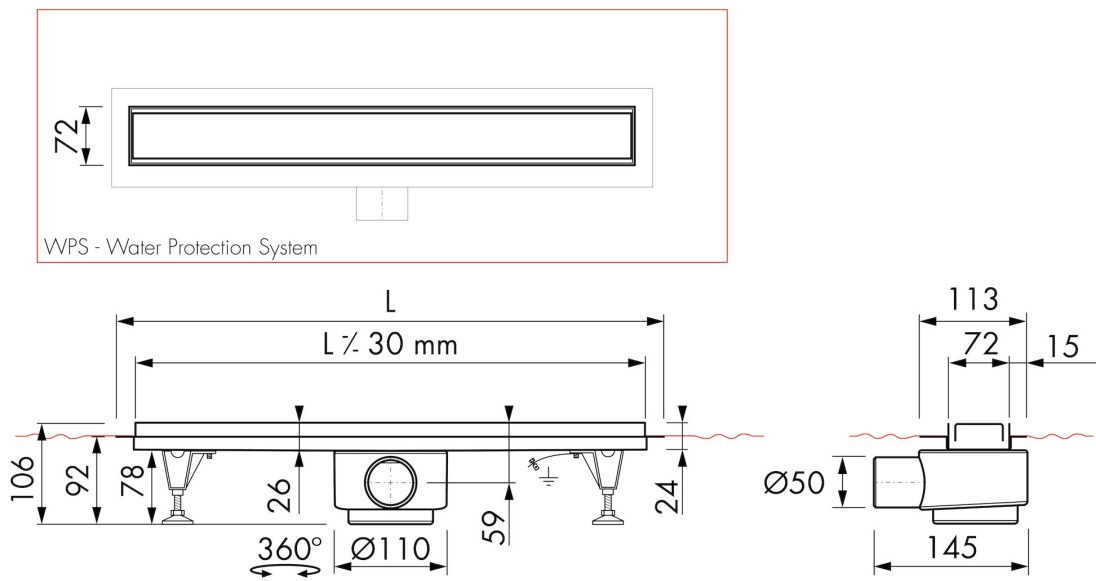
### Contact

Easy Sanitary Solutions  
 Nijverheidsstraat 60 | 7575 BK Oldenzaal | The Netherlands  
 T. +31 (0)541 200 800 | F. +31 (0)541 200 899  
 sales@esspost.com | www.easydrain.com

## ARTICLE CODE

500 mm	BD-50-FL		
600 mm	BD-60-FL		
700 mm	BD-70-FL		
800 mm	BD-80-FL		
900 mm	BD-90-FL		
1000 mm	BD-100-FL		
1100 mm	BD-110-FL		
1200 mm	BD-120-FL		

## TECHNICAL DRAWINGS



**Manufacturer**

Easy Sanitary Solutions  
 Nijverheidsstraat 60 | 7575 BK Oldenzaal | The Netherlands  
 T. +31 (0)541 200 800 | F. +31 (0)541 200 899  
 info@esspost.com | www.easydrain.com

**Contact**

Easy Sanitary Solutions  
 Nijverheidsstraat 60 | 7575 BK Oldenzaal | The Netherlands  
 T. +31 (0)541 200 800 | F. +31 (0)541 200 899  
 sales@esspost.com | www.easydrain.com