



INSTALLATION OVER THE COUNTERTOP

The sinks installed over the countertop are suitable for all countertops and are easy to install in the traditional manner.

Congratulations on buying our product! Before using the sink, please carefully read and follow these instructions.

These instructions are intended for stainless steel AQUASANTITA and SILICSANA sinks installed over a countertop.



ATTENTION: if you have purchased a sink which is installed under a countertop, please read the instructions for that type of sink.



NOTE: before installing the sink, check whether it is not damaged .

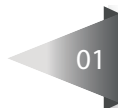
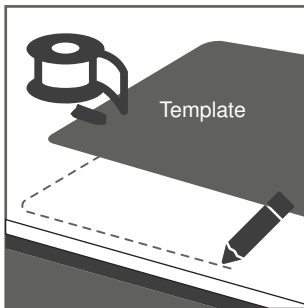


REMEMBER that the template is presented as guidance only. In order to avoid errors, measure the length and width of the sink, turn it upside down and write down the dimensions with a marker. This will ensure more precise cutting.



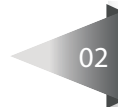
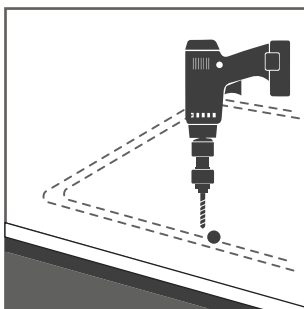
WE RECOMMEND entrusting the installation of the sink to professionals who have specialized knowledge and skills.

INSTALLATION Follow the steps below to install the sink properly.



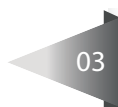
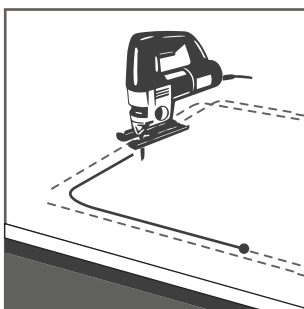
01

Select the installation place for the sink. Make sure that the surface is completely level and there is enough space under the countertop to fasten the brackets. Place the template on the countertop at the selected place, fix it with scotch tape and check whether it is in correct position. Outline the template with a marker.



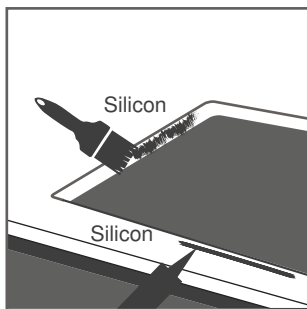
02

Drill 10 mm holes for a saw at all corners of the outline.



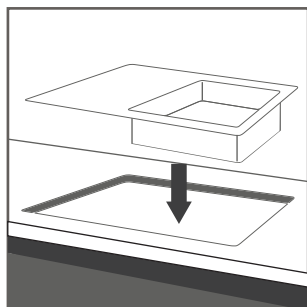
03

Use a suitable tool to cut an opening in the countertop following the outline.



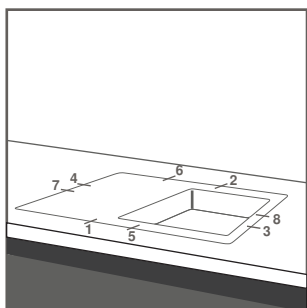
04

Cover the edges of the opening with elastic sealant. Make sure they are evenly covered.



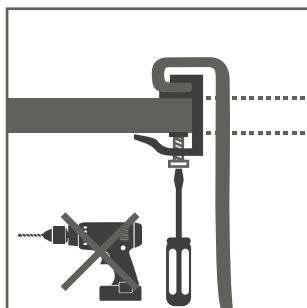
05

Carefully place the sink in the prepared opening in the countertop. Check whether it is placed correctly.



06

Fasten the brackets of the sink in the order specified in the scheme until it fits close to the countertop surface.



NOTE: do not use power or pneumatic screwdrivers which do not have load adjusters.

YOUR NEW SINK IS READY FOR USE!

GUARANTEE 5 YEARS. Manufacturer is liable for manufacturing and material defects of an item during a guarantee period. In case of detecting such defects, return your sink to the seller. Keep purchasing documents during the whole guarantee period and attach it to the sink returned.

GUARANTEE IS NOT VALID for parts and additives, enclosed in a sink kit also for defects, appeared because of wrong installation and maintenance of a sink. Mechanical damage during operation.

