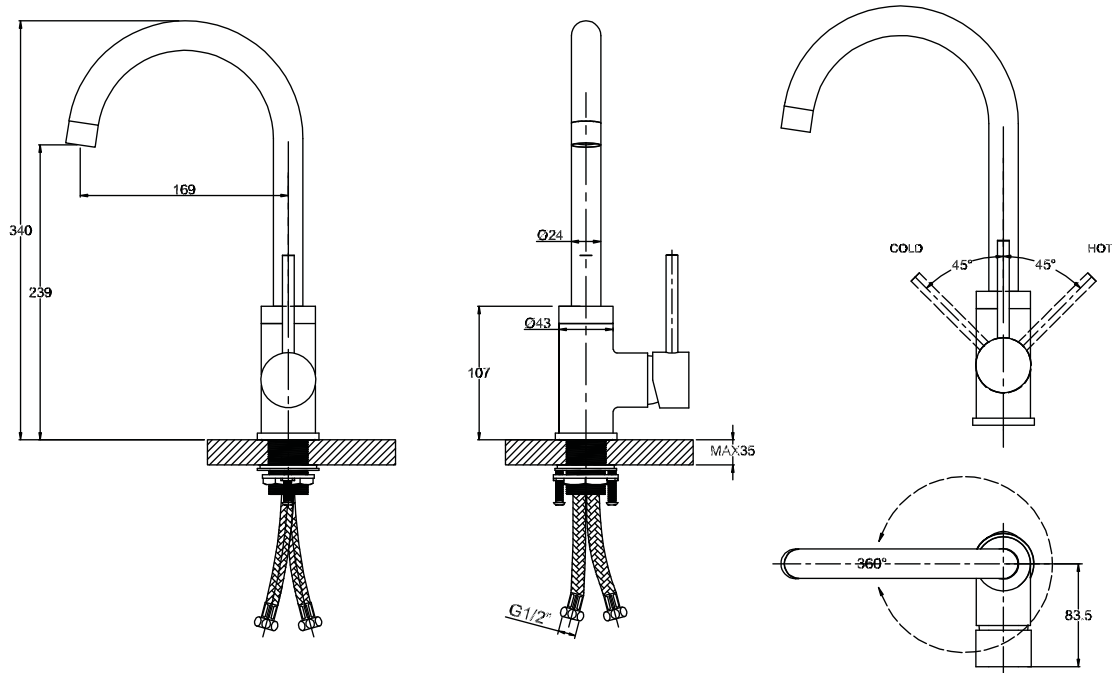


SABIA 5523

All AQUASANITA taps have a sturdy construction and are functional, reliable and simple to install. They are easy to turn on and off and the selection of water temperature and flow is easy to control. 360° rotating spout allows installing the tap handle on the right or on the left. Kitchen tap Akvaduo with drinking water function is functional and convenient to use. Quality and durable body is powder coated or chrome. The tap suitable for stainless steel and artificial granite AQUASANITA sinks.



TECHNICAL DATA

Minimum water pressure: (0.5 bar)
 Maximum water pressure: (10 bar)
 Maximum hot-water temperature: 80°C
 Recommended hot water temperature: 70°C

NOTE

Prior to connecting the tap to water supply, rinse the pipes of the water supply system well in order to clean out the accumulated sediments (it is especially important when connecting to a new water supply system).

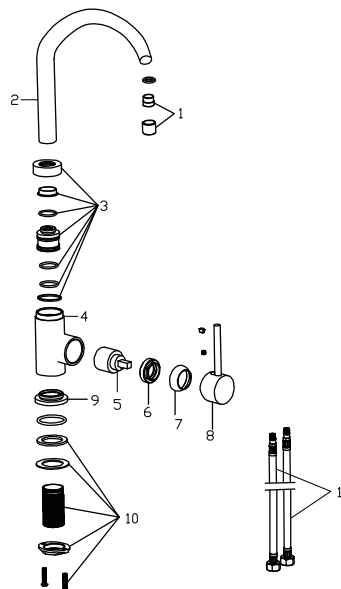
After connecting the tap to water supply, gradually open the water supply valve and check, whether all connections of the tap are sealed and not leaking. Then test the tap and all its functions.

We recommend entrusting the installation of the tap to professionals. In order to prevent particles from the water supply system getting into the tap, install a water filter (100 microns) prior to installing the tap.

INSTALLATION

1. Close off hot and cold water supply.
2. Remove (unscrew) the aerator (to avoid clogging the aerator at the first start-up of water).
3. Fasten the mixing valve on the sanitary ware, using the supplied fasteners. Connect the flexible hoses to the valve. The flexible hoses should be screwed into the valve slot only by hand without using tools or applying excessive force, because this can cause damage the hoses or the valve.
4. Connect the valve to the water supply system, using the connecting fittings (upset couplings). Turn on the water supply. In the closed position of the valve, check sealing of all the connections. If necessary, make extra tightening and sealing of the connections (be sure to close the shut-off valves on water supply piping).
5. Start the cold and hot water running for a short period of time (to wash off the pipes), then close the water supply and install (tighten) the aerator.

No.	Name	Quantity
1	aerator	1
2	spout	1
3	connecting parts	1
4	body	1
5	cartridge	1
6	bonnect nut	1
7	cap	1
8	handle	1
9	base	1
10	fixing part	1
11	inlet hose	1



GUARANTEE 5 YEARS

Manufacturer is liable for manufacturing and material defects of an item during a guarantee period. In case of detecting such defects, return your tap to the seller. Keep purchasing documents during the whole guarantee period and attach it to the tap returned.

The manufacturer shouldn't take responsibility when:

- the users fail to follow the intallation instruction;
 - the users use the product not for its functional purpose;
 - the users use spare parts of another manufacturer;
 - if the faucet was installed by unqualified person;
 - if the faucet was wrongly used;
 - if the defect appeared because of wrongly installed faucet;
 - if the surface of the faucet and its spare parts were mechanically defected or scratched;
 - if any of mechanical impurities has affected the inner of the faucet;
 - if the faucet was delivered back to the seller not of the full configuration or without orginal packaging.
- Shower heads, shower hose and spout are not included in the after sale guarantee.